

Draw-Wire SL00, 3.0 m, 80 mm



Ref.: K-SL00-03000-080-1

07.05.2021

0101040030

Advantages

- Bearing via encoder shaft
- Flat design
- Light-weight design
- Low demand applications
- Low-cost version

General Data

Order number(s)	40-723-002
Housing design	□80 mm
Housing material	Plastic, Noryl
Measuring length	3.00 m
Gear ratio	230 mm/rev.
	Note: Observe name plate!
Accuracy, gear ratio	± 0.10 %
Diameter, measuring wire	0.55 mm
Material, measuring wire	Stainless steel, 1.4401
Wire outlet angle	<= ±3 °
Linearity	± 0.01 %
	related to the measuring value
Reproducibility	0.005 %
	related to the measuring value
Adjusting speed	<= 6 m/s
Spring retraction force	5...6.3 N
Load cycles, typically	<= 1 000 000
Mass, typically	0.25 kg

Subject to change.

TR-Electronic GmbH
 Eglisshalde 6
 78647 Trossingen
 Tel. +49 (0) 7425 228-0
 info@tr-electronic.de
www.tr-electronic.de

Draw-Wire SL00, 3.0 m, 80 mm

Ref.: K-SL00-03000-080-1

07.05.2021

0101040030

Environmental conditions

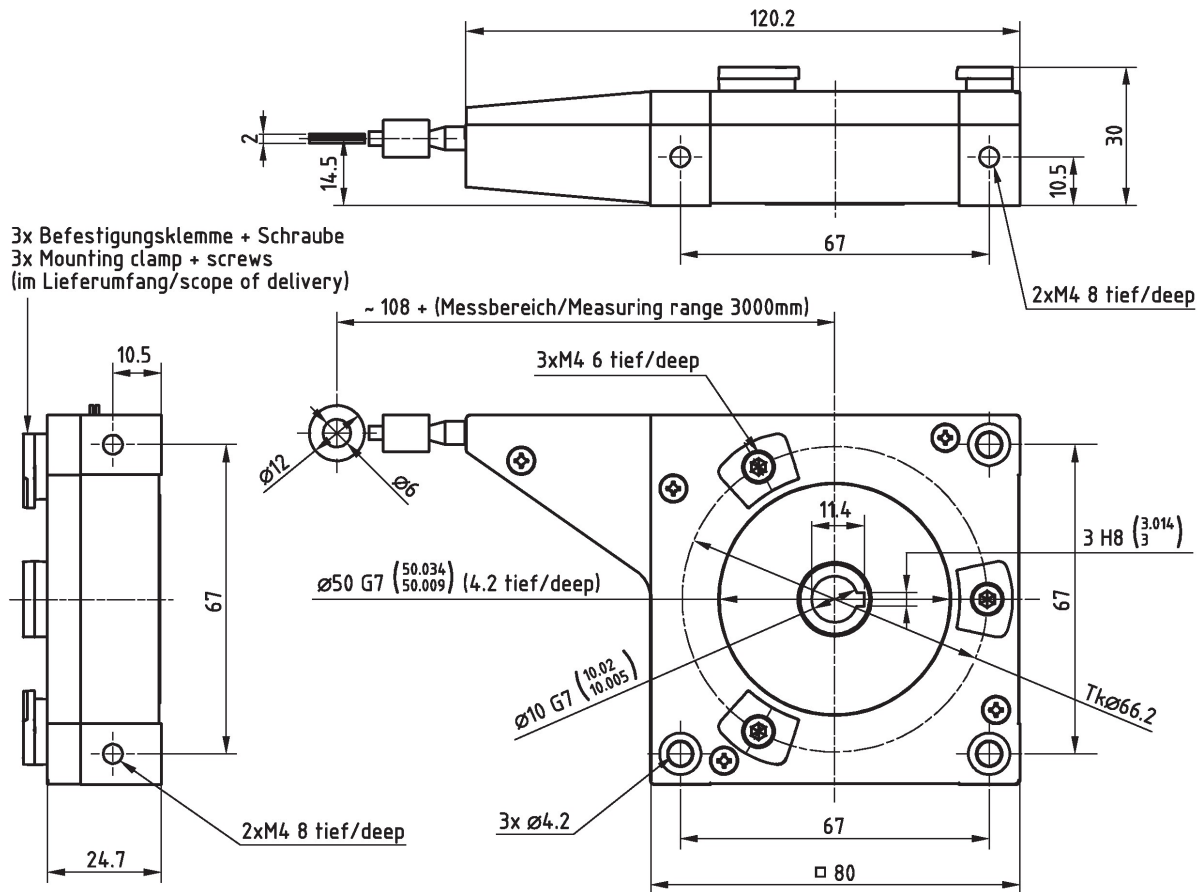
Working temperature	
- Standard	-30...+70 °C
Protection class	
- Standard	IP50
- Note	according mounting instruction

Subject to change.

Draw-Wire SL00, 3.0 m, 80 mm

Ref.: K-SL00-03000-080-1
 07.05.2021
 0101040030

Dimensional drawing



Subject to change.

TR-Electronic GmbH
 Eglshalde 6
 78647 Trossingen
 Tel. +49 (0) 7425 228-0
 info@tr-electronic.de
www.tr-electronic.de

Draw-Wire SL00, 3.0 m, 80 mm

Ref.: K-SL00-03000-080-1

07.05.2021

0101040030

Suggested products

CMW582M*4096/16 SSI SL00 3M	CMW582M-00030
CMW582M*8192/4096 ETC SL00 3M 3xM12 axial	CMW582M-00044
CMW58M*4096/4096 SSI SL00 3M	CMW58M-00055

Subject to change.