

IEW58*1024 HTL ME5,0M + ULR

Order-#: 210-00006

23.4.2021 / 010103020105001158



Stock photo

Advantages

- Easy mounting (slot nuts)
- Guide pulley, mountable
- Heavy-Duty applications
- High measuring accuracy
- High working reliability
- Robust Al-alloy profile body

Technical data for 210-00006

NO. OF PULSES	1024
NO. OF CHANNELS	K1-K2 NEG
ZERO-PULSE	K0 NEG
PROGRAMMABLE	NO
INTERFACE	INCREMENTAL
OUTPUT LEVEL	HTL
SUPPLY VOLTAGE	4,75V..30V
CONNECTOR TYPE	1X8P.M12-CONNECTOR
CONNECTOR-POSITION	CONNECTOR RADIAL ON HOUSING
MATING PLUG	NO
SHAFT TYPE	COUPLING
TEMPERATURE RANGE	-40+85°C
PROTECTION Class	IP65
OPTIONS ENC	K2 VOR K1 BEI SEILAUSZUG
	ME-WDS-5000-P115 5,0M
	ROPE LENGTH TRANSMITTER
	UMLENKROLLE
PINOUT NO.	10859
SLG-ORDER NO	40730020
DRAWING NO.	04-210-M0006

Subject to change.

TR-Electronic GmbH
 Eglshalde 6
 78647 Trossingen
 Tel. +49 (0) 7425 228-0
 info@tr-electronic.de
www.tr-electronic.de

IEW58* 1024 HTL ME5,0M + ULR

Order-#: 210-00006

23.4.2021 / 010103020105001158

Technical data for 210-00006 continuation

UL-APPROVALS

USA+CANADA

General data for K-WDS-05000-115-1

Order number(s)	40-730-003
Housing design	□ 115 mm
Housing material	Aluminium anodized
Measuring length	5.00 m
Gear ratio	315.23 mm/rev.
	Note: Observe name plate!
Accuracy, gear ratio	± 0.06 %
Diameter, measuring wire	1.00 mm
Material, measuring wire	Stainless steel, PA coated
Wire outlet angle	≤ ±3 °
Linearity	± 0.02 %
	related to the measuring range
Adjusting speed	≤ 4 m/s
Wire acceleration, typically	49 m/s ²
Spring retraction force	4...16 N
Options	
- Guide pulley	one-way, wire outlet linear
Mass, typically	1.4 kg

Environmental data

Vibration	
- Specific value	≤ 196 m/s ²
- Sine	20...2000 Hz
Shock	
- Specific value	≤ 490 m/s ²
- Half sine	10 ms
Working temperature	
- Standard	-20...+80 °C
Storage temperature, dry	-40...+80 °C
Protection class	
- Standard	IP65

Subject to change.

IEW58*1024 HTL ME5,0M + ULR

Order-#: 210-00006

23.4.2021 / 010103020105001158

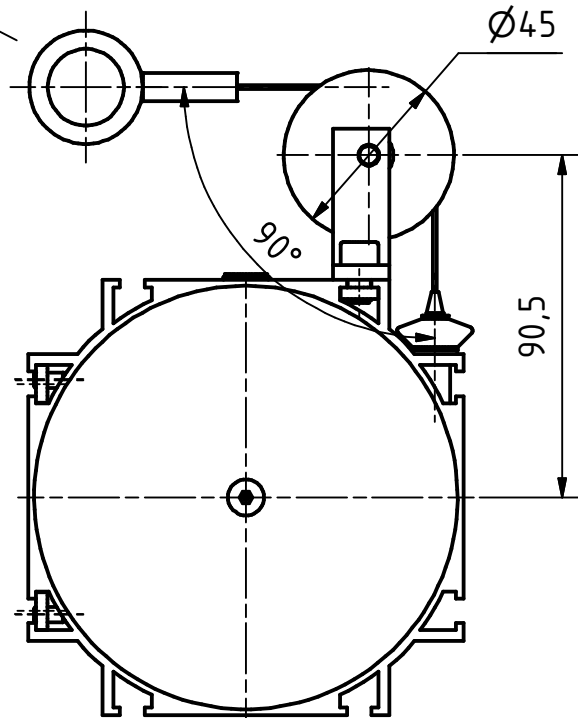
Environmental data continuation

- Note

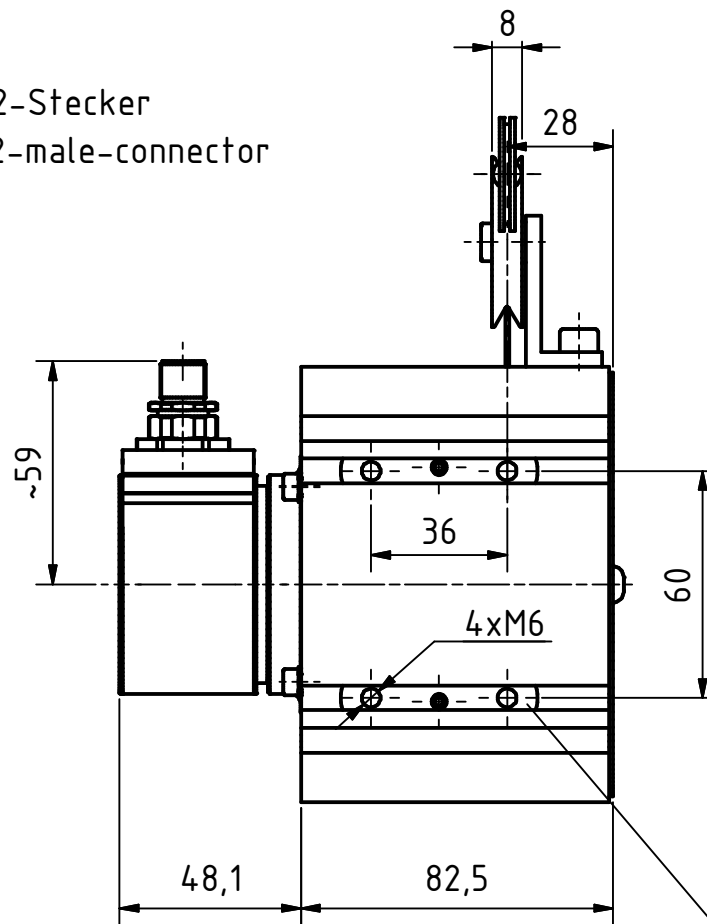
according mounting instruction

Subject to change.

Öse, Messing
ear, brass

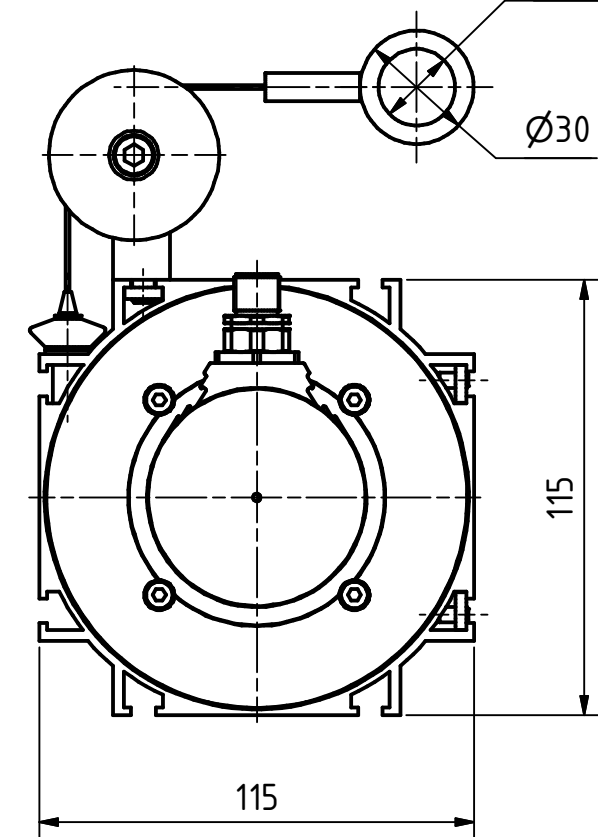


8pol. M12-Stecker
8pin. M12-male-connector

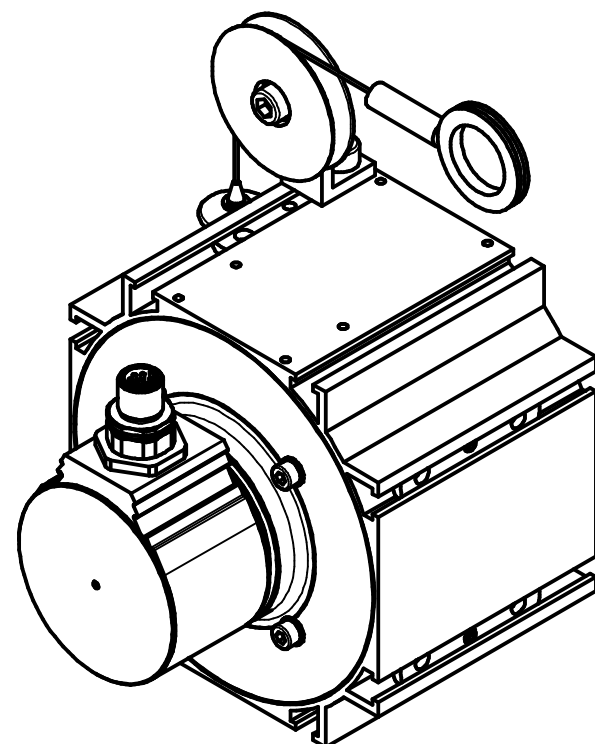
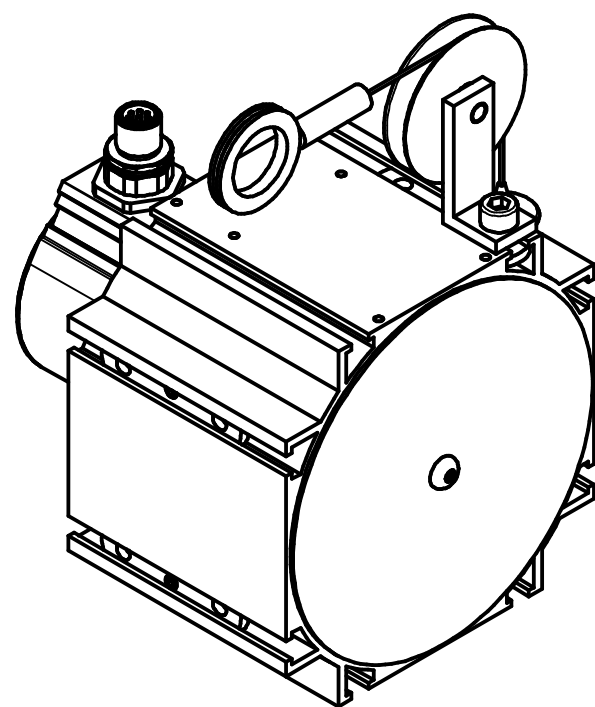


Ø20,2


Ø30



Nutenstein (2x)
in beliebiger Position/Seite eingeschoben
slot nut (2x)
slidable to any position/side



Artikel-Nr. und Steckerbelegung: siehe Datenblatt
Article-No. and pin connections: see data sheet

	TR Electronic GmbH Eglshalde 6 D-78647 Trossingen Tel. +49 7425 228-0 www.tr-electronic.de		Tolerierung ISO 8015		Maßstab 1 : 2 DIN A3	
	Zeichnungs-Nr. nur für diese Ausführung gültig Drawing-No. only für this type valid				IEW-58, pull of rope encoder ME, 5m rope	
		Datum Name		Zeichnungs-Nr.: / Drawing-No.:		Blatt
		Erstellt 19.11.2020 FLAIG		04-210-M0006		1
		Bearb. 19.11.2020 FLAIG		info@tr-electronic.de		1 Bl.
		Gepr. 19.11.2020 NEMECZ		www.tr-electronic.de DXF+Info: info@tr-electronic.de		
		Norm		Zeichnungs-Nr.: / Drawing-No.:		
		EDV-Nr.:		Dok.Art. IDW		
Zust. Änderungen Datum Name		EDV-Nr.:		Teil-Dok. 000		
				Dok.Vs. 00		

Pin assignment

Pin assignment number: 10859

Connector name: 8-pol M12-Connector

Index:

Pin-count: 8

13.01.2021

Page: 1/1

Pin	Designation	Description	Colour
1	CH_A_OUT	Channel A	-
2	/CH_A_OUT	Channel A inverted	-
3	CH_B_OUT	Channel B	-
4	/CH_B_OUT	Channel B inverted	-
5	CH_I_OUT	Channel Reference	-
6	/CH_I_OUT	Channel Reference inverted	-
7	Supply Voltage IN	Supply voltage	-
8	Ground IN	Ground	-

WARNING

'De-energize the system before carrying out wiring work or opening and closing electrical connections !
Short-circuits, voltage peaks, etc. can cause operating failures and uncontrolled operating states, as well as serious personal injuries and damage to property.

Verdrahtungsarbeiten, Öffnen und Schließen von elektrischen Verbindungen nur im spannungslosen Zustand durchführen ! Kurzschlüsse, Spannungsspitzen etc. können zur Fehlfunktion und unkontrollierten Zuständen der Anlage bzw. zu erheblichen Personen- und Sachschäden führen.